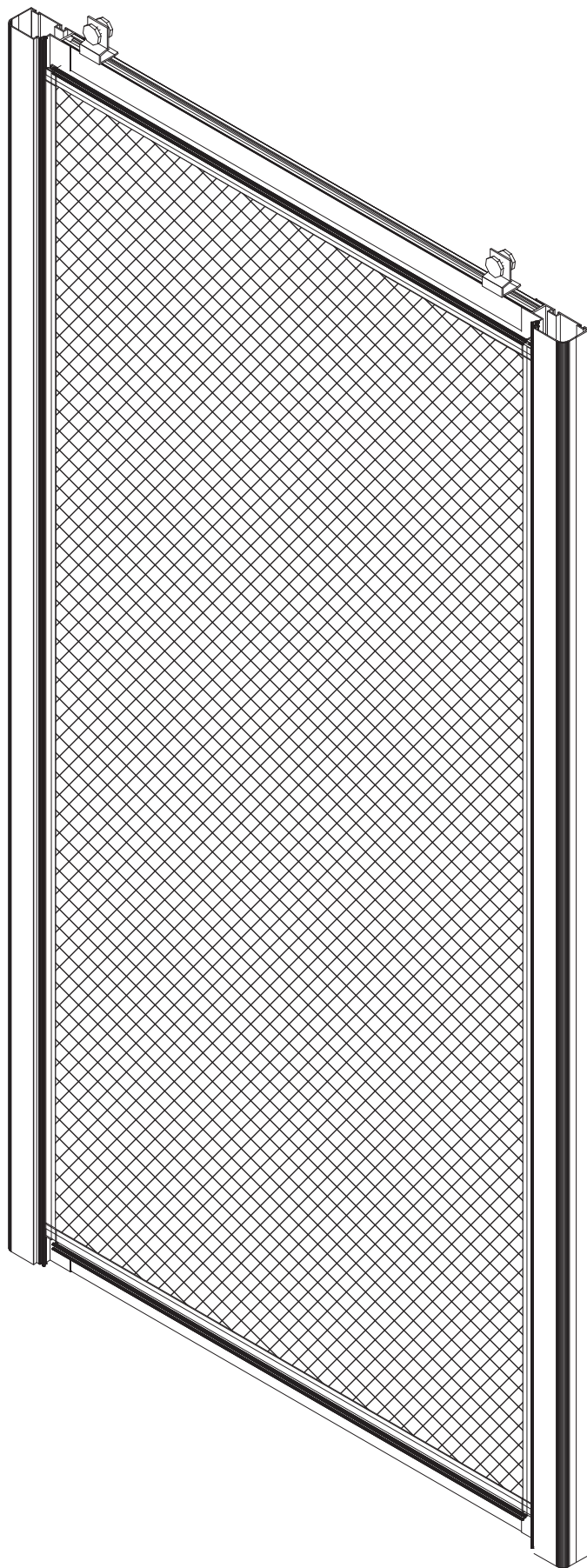



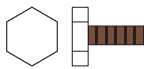
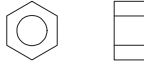




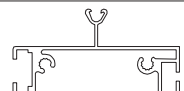



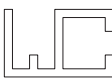




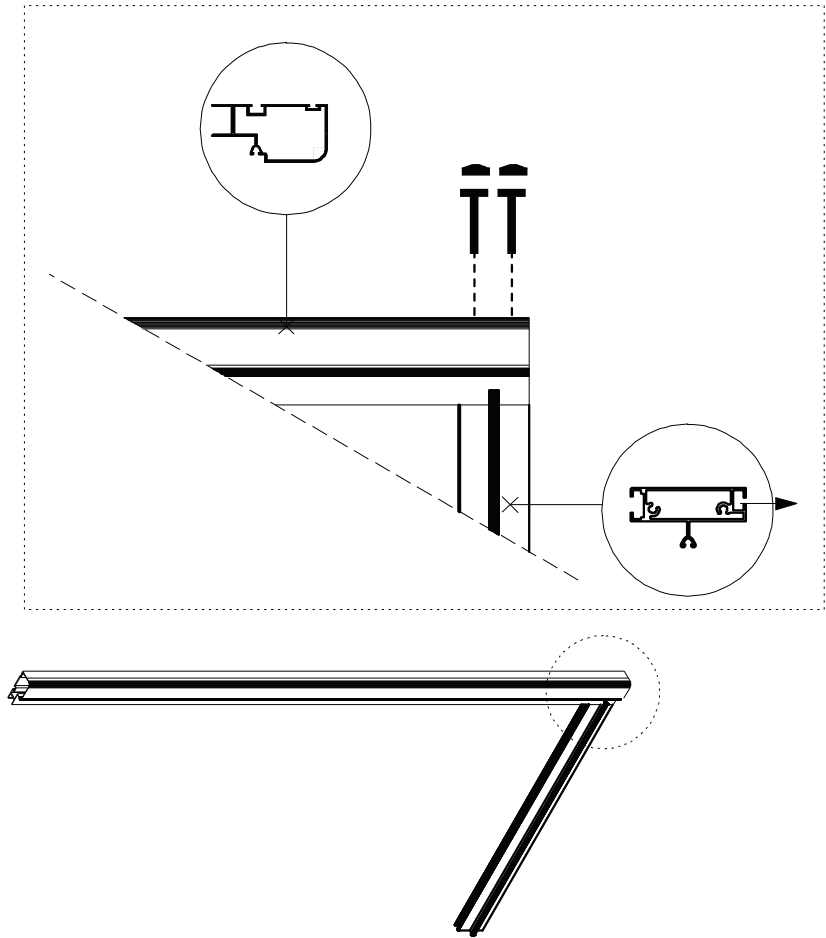
VLD



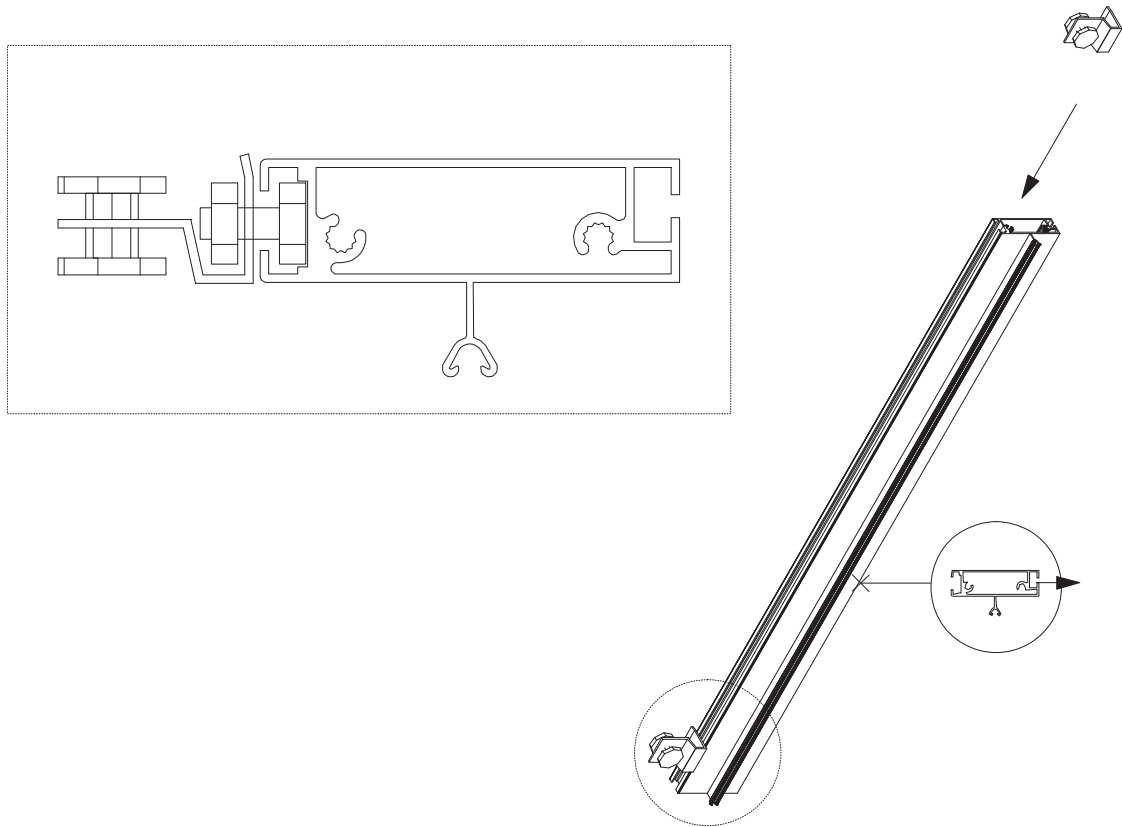
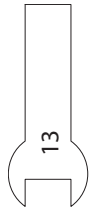
Profile list Flyscreen

ES. Nr.	Prof. Nr.	Description	Drawing	Pieces
37		Black cap		8 x
74		Door wheel		2 x
129		Parker screw ø4,8 x 19 mm		8 x
101		Bolt M8 x 12		2 x
106		Wreck M8		2 x
121		tightning ring		2 x
		Parker screw ø2,9 x 13 mm		6 x
	7002	Outer handle		1 x
	9915	Doorprofile		1 x L + 1 x R
	9916	Middle door		2 x
		Cornerpiece		4 x
70		Doorbrush		1 x
107		Parker screw ø4,8 x 16		2 x
		Frame profile		4 x
		Frame Rubber		
		Flyscreen cloth		

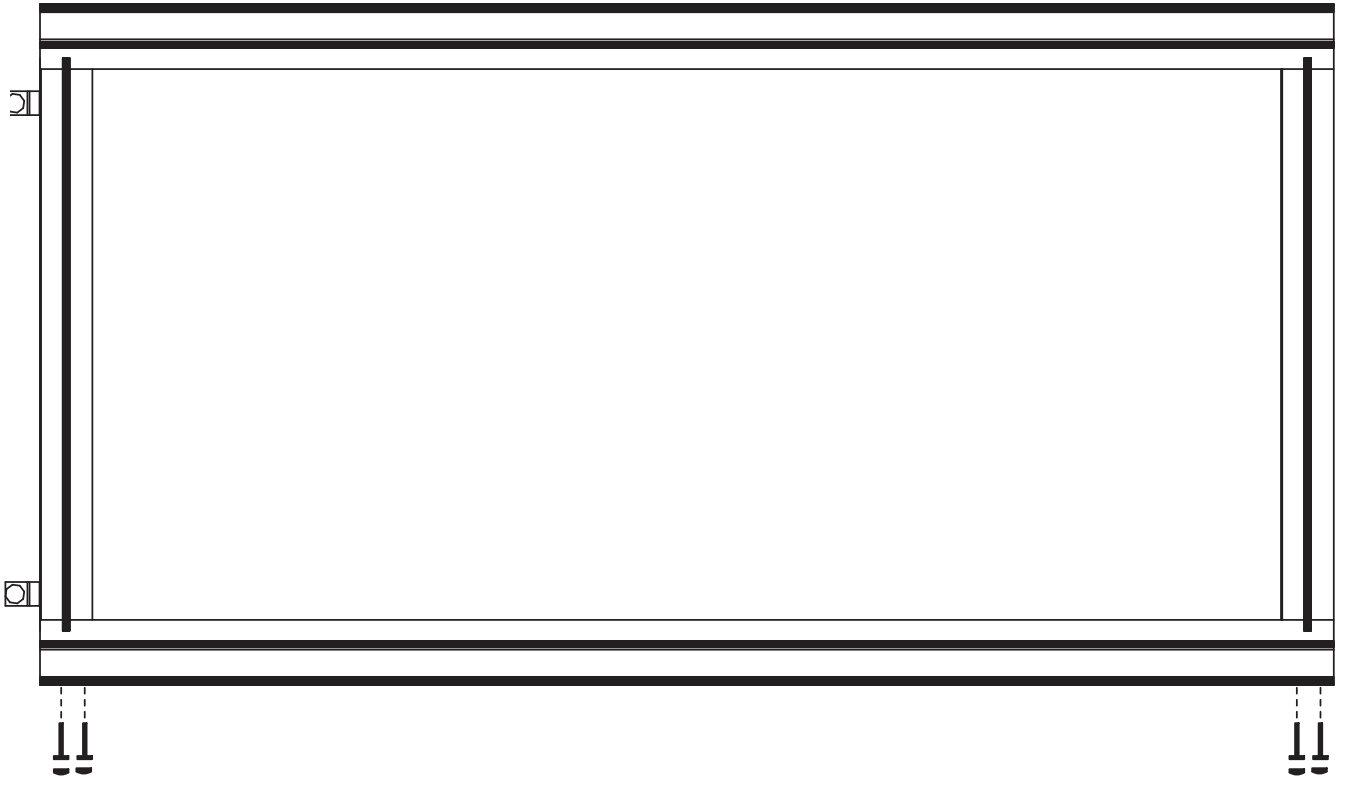
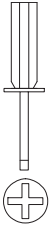
1



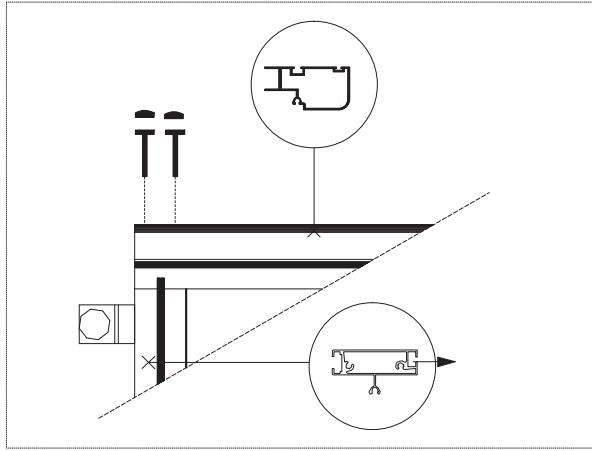
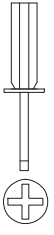
2



3



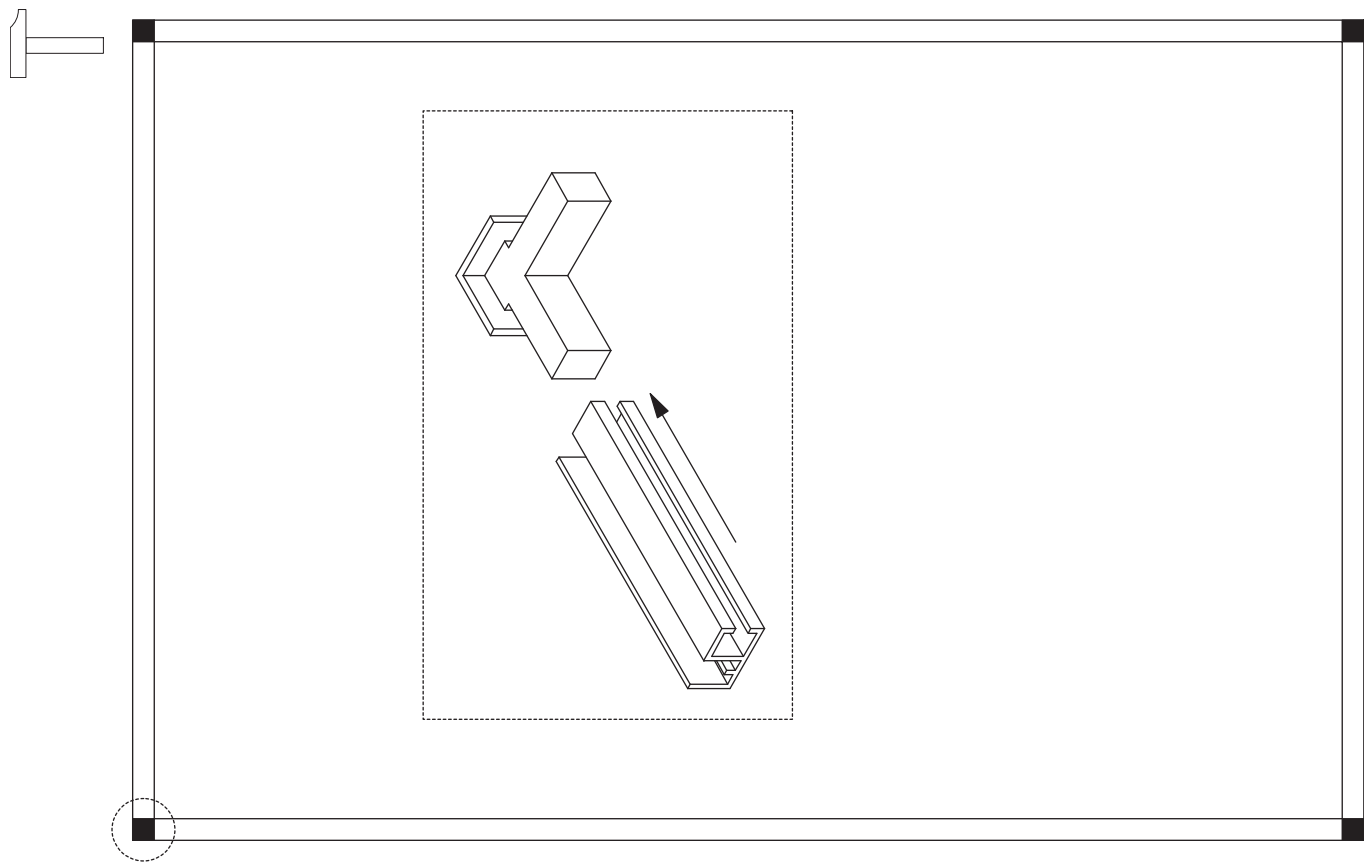
4



3

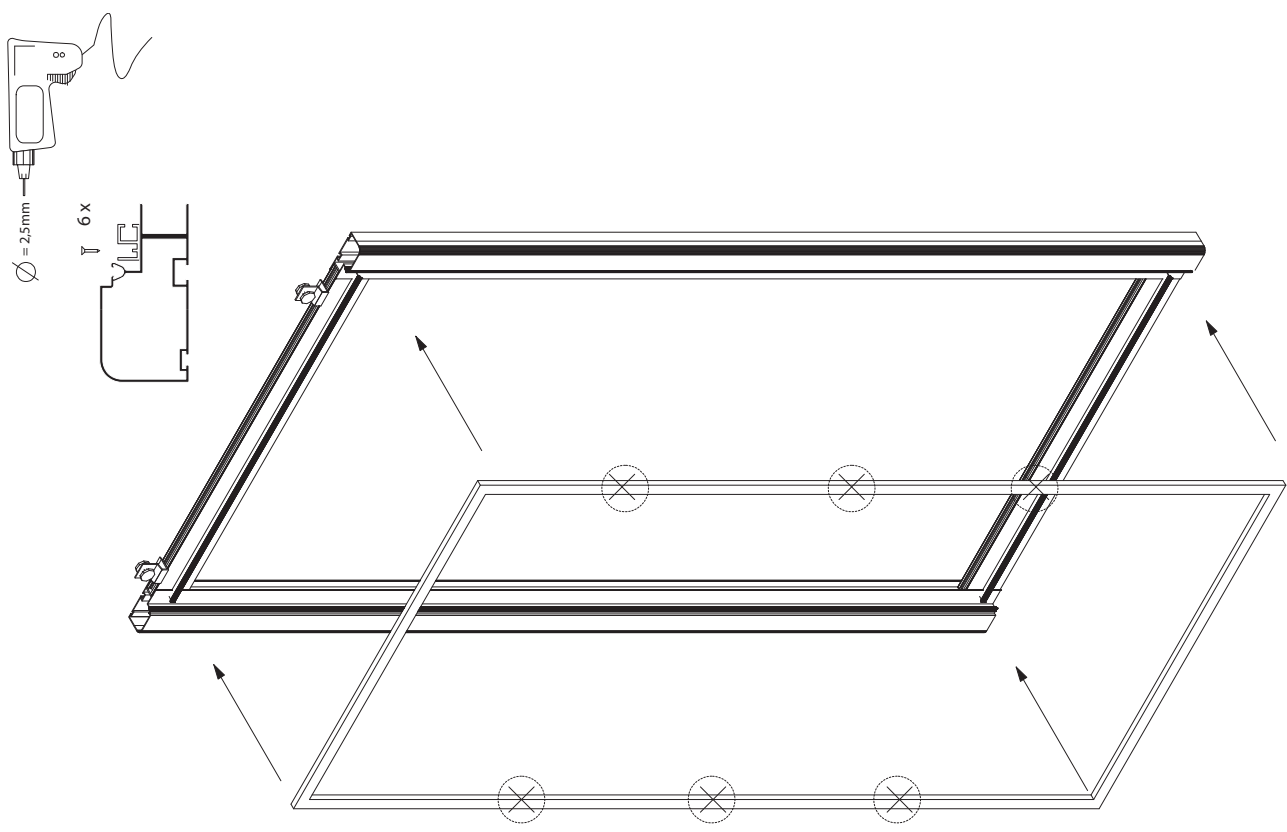
4

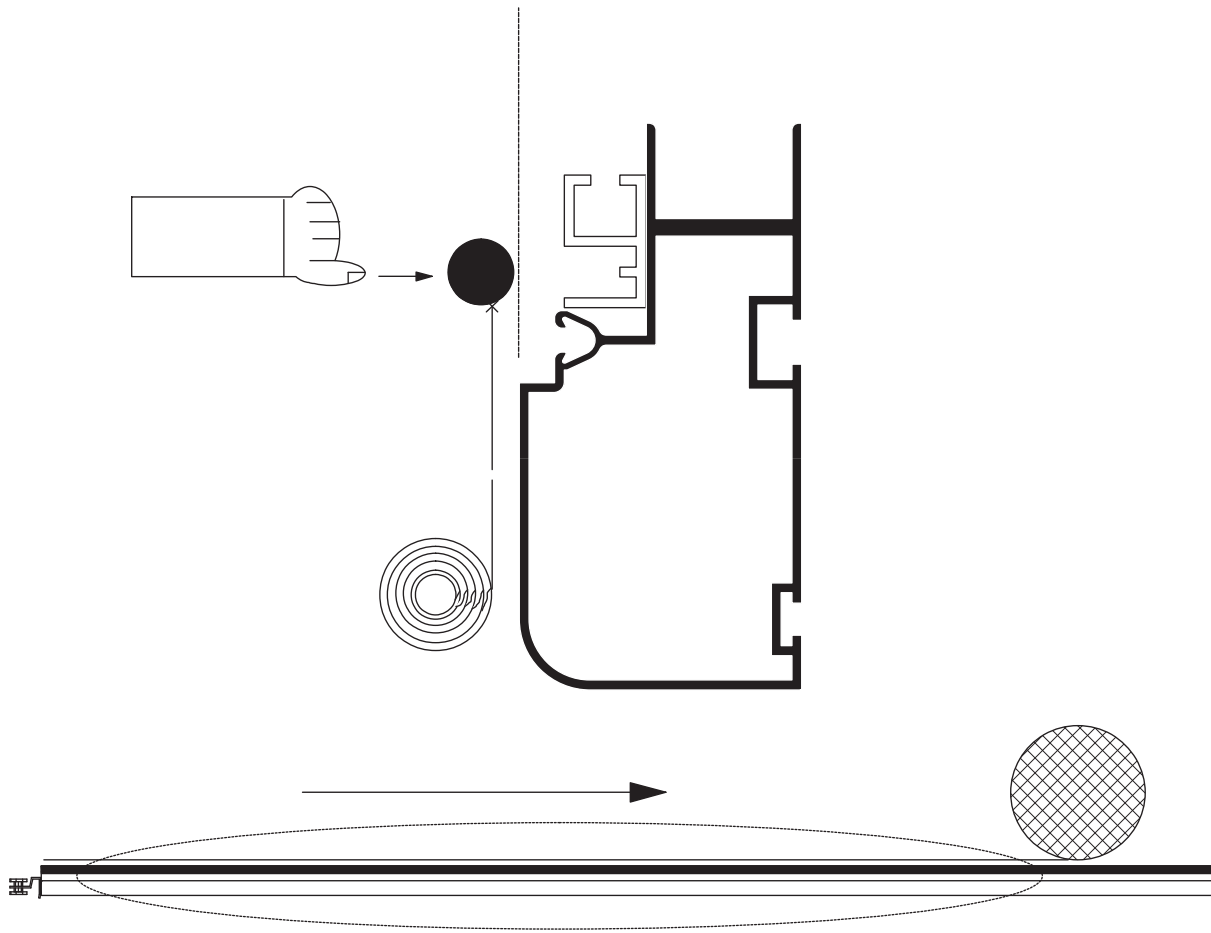
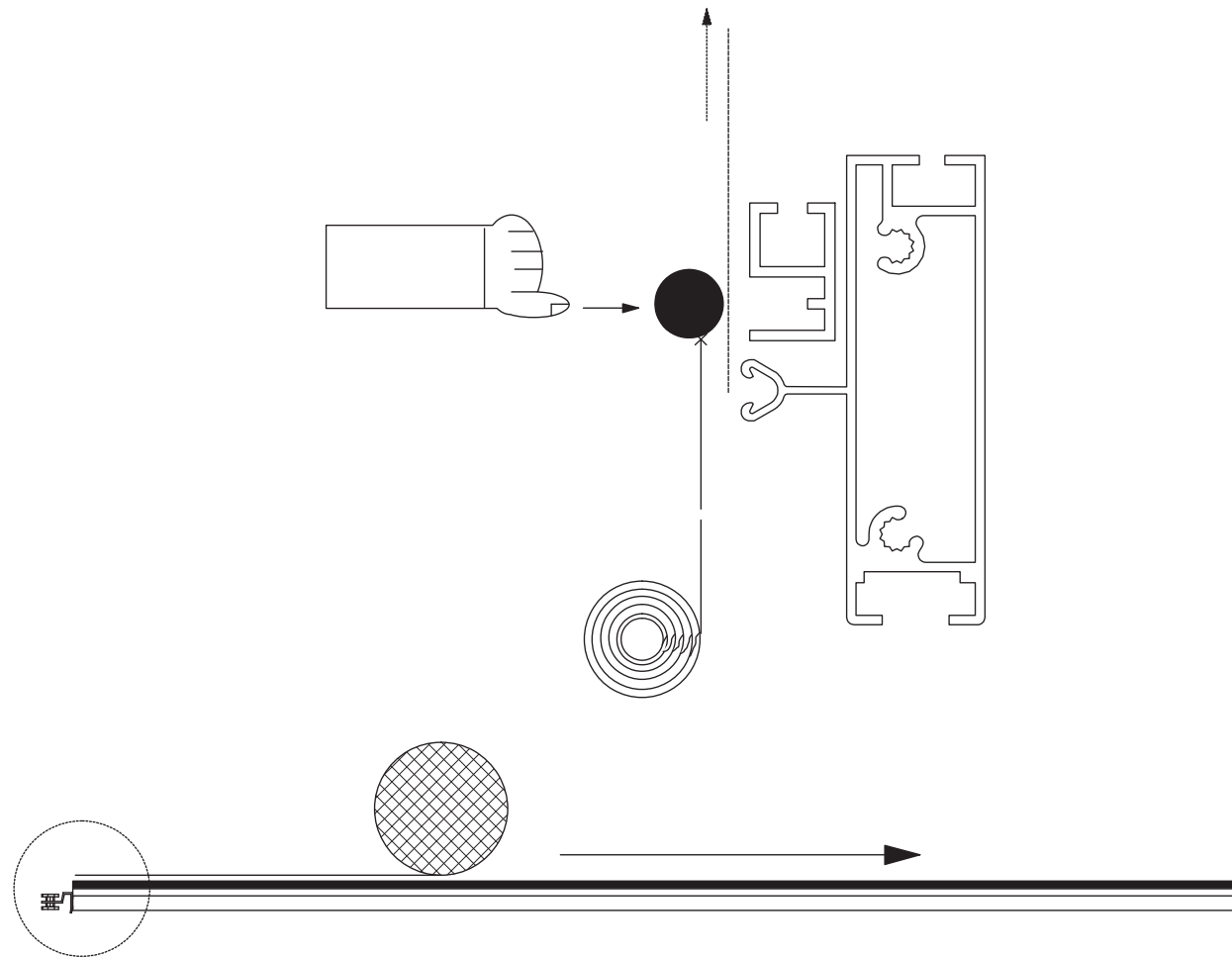
5



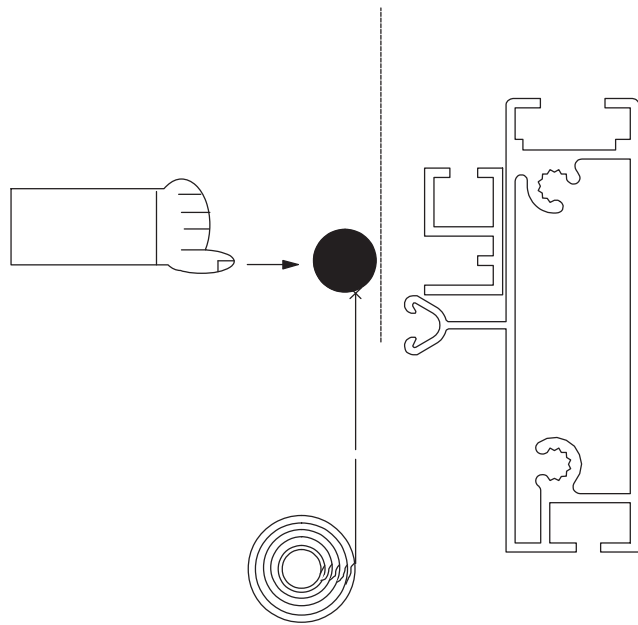
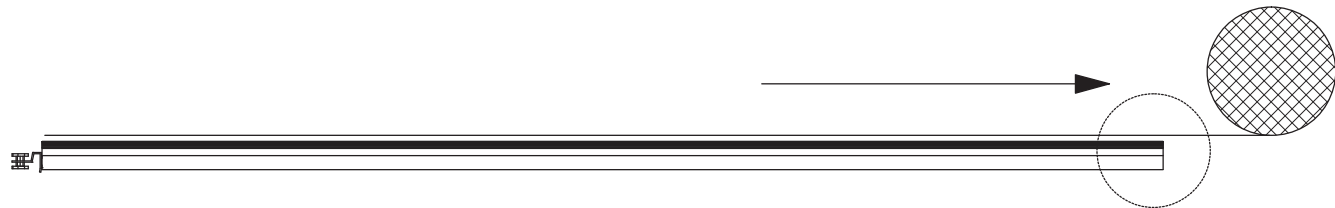
5

6

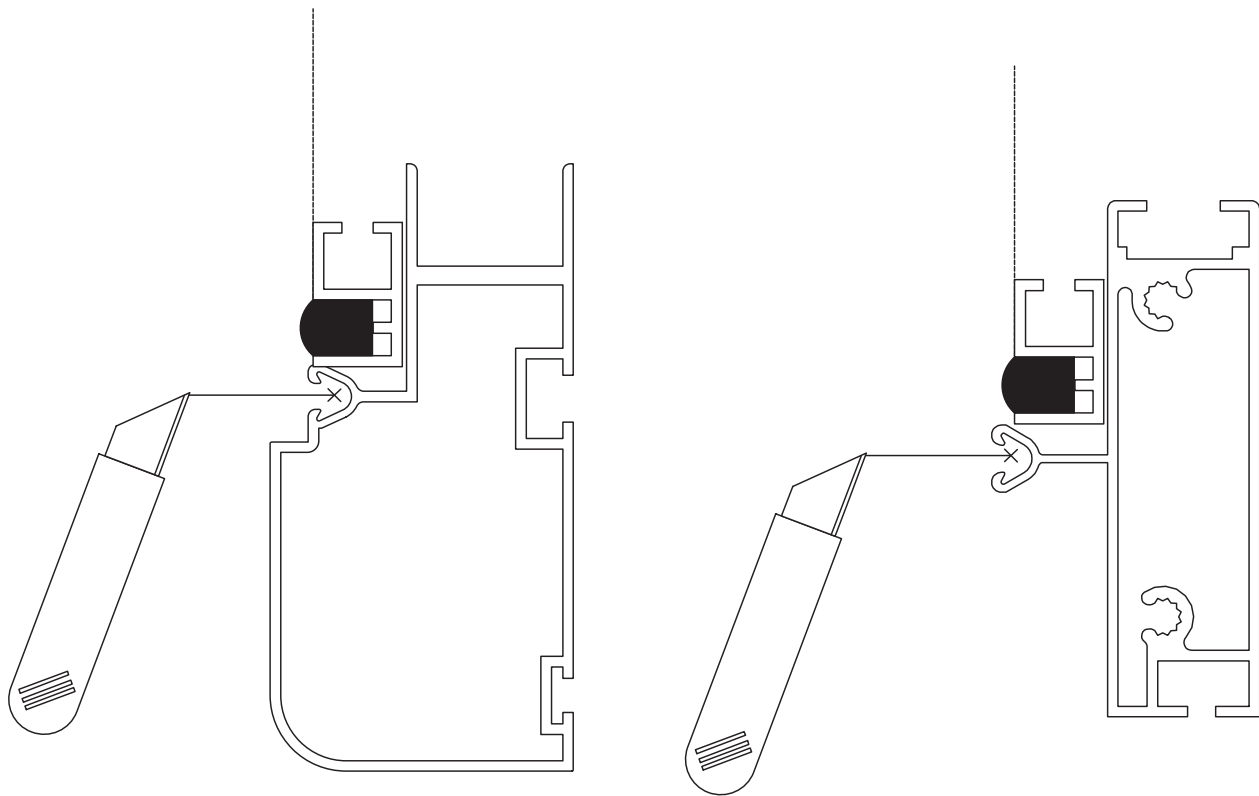


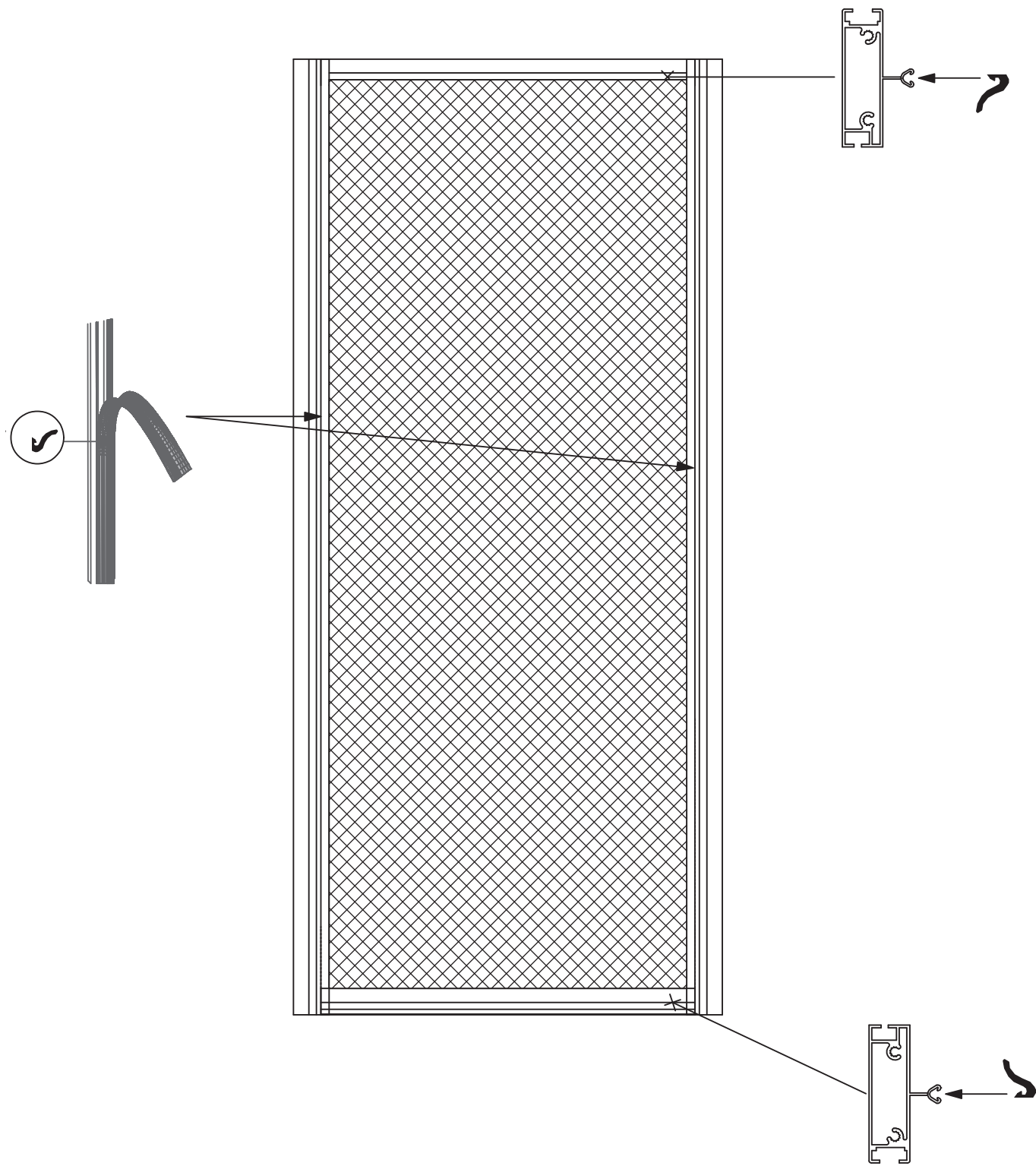


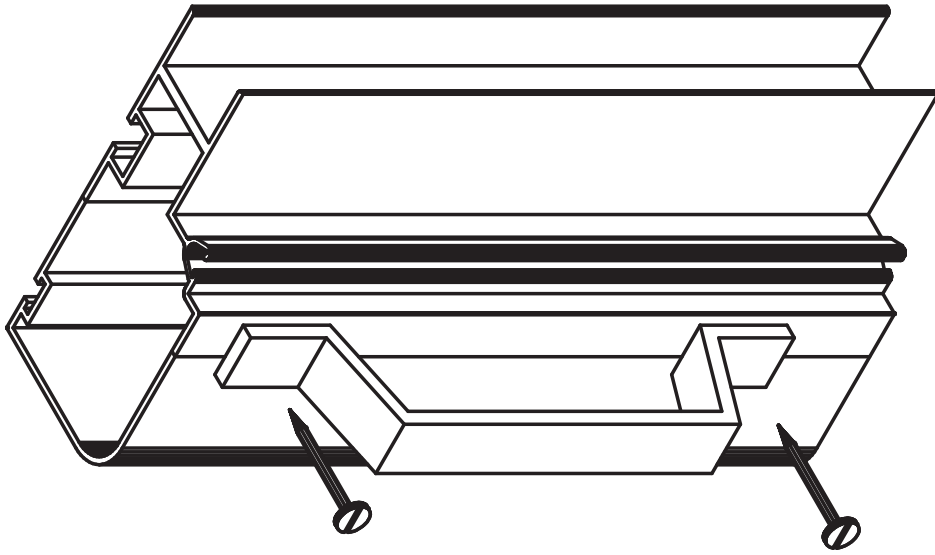
9



10







12

